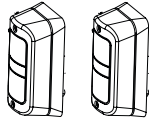


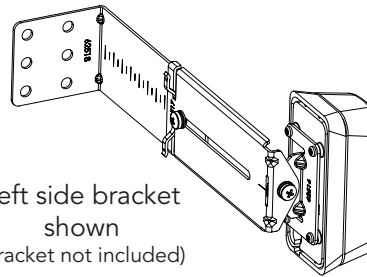
Safety Beam Kit

PE2000TS Wiring and Installation Instructions

PE 2000TS



PE BEAM SET IR 2000TS SHEDMASTER - 100050		
ITEM	DESCRIPTION	QTY
1	PE BEAM IR-2000TS RX	1
2	PE BEAM IR-2000TS TX	1
3	RESISTOR 2K2 PACK	1



Left side bracket shown
(bracket not included)



tip Mount the receiver on the side of the doorway closest to the operator.

Connecting PE 2000TS to bracket

- Disconnect power to the operator.
- Remove old PE beams from bracket and install PE 2000TS using existing bracket screws.

Wiring the PE 2000TS

- Connect the resistor ③ to the receiver ① as shown in the diagram.
- Wire the operator to the receiver ① as shown.
- Connect the transmitter ② to the receiver ① as per diagram.

Aligning the Transmitter and Receiver

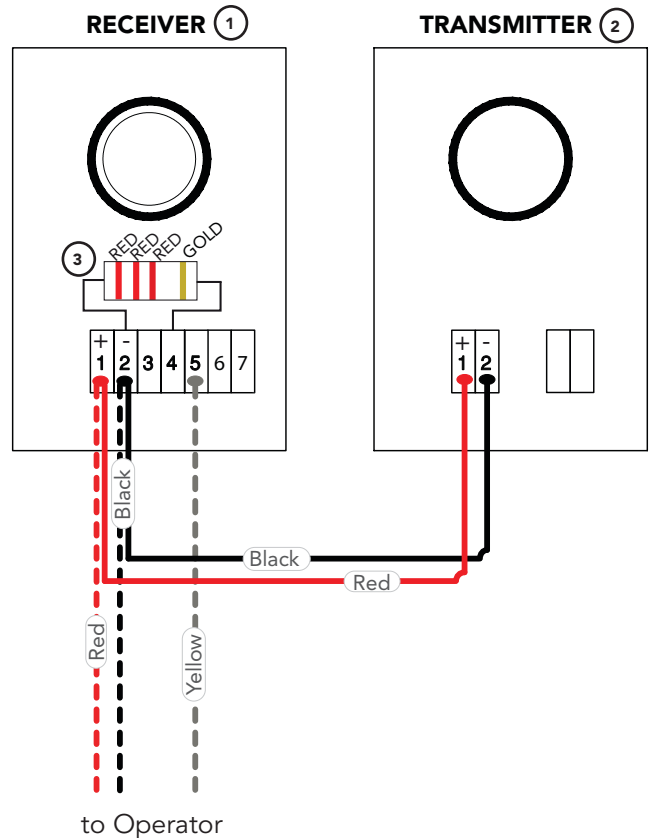
- Power up the operator with the safety beams connected. The green LED on the transmitter should turn ON to indicate power is present.
- If the receiver is connected to power and the red LED is OFF while the green LED on the transmitter is ON, the transmitter and receiver are not aligned.
- Make horizontal and/or vertical adjustment on the transmitter and/or receiver until the red LED on the receiver turns ON, indicating alignment.

Setting the limits

After aligning the safety beams, refer to the operators manual to set the travel limits.



tip If the operator has been installed previously, ensure you clear the limits first before following instructions to set limits again.



Troubleshooting

Symptom	Possible cause	Remedy
Receiver LED is blinking and can not close the door	Receiver and transmitters not aligned properly	Realign receiver and the transmitter
	Beam is obstructed	Remove obstruction from the path of the beam.