

# Multi-Frequency Receiver

## FHCRX-2V2 Installation Instructions

Thank you for purchasing an Automatic Technology Receiver. Familiarise yourself with the following instructions prior to commencing set up. Store this information in a safe place for future reference.

The FHCRX-2 series receivers have relays on board which provide normally open or normally closed contact for controlling virtually any electronic device including garage doors and gate openers. The relays can be programmed to any three modes - pulse, hold or timer. One or both relays can be programmed with any of the three modes.

**NOTE:** Timer mode is select able only with the Automatic Technology AutoProgrammer. Refer to the AutoProgrammer's manual for instructions on setting Timer mode.

### SETTING RELAY OPERATING MODES (FHCRX-2V2)

Pulse Mode - Relay contact is active whilst transmitter button is pressed.

Hold Mode - Relay changes state at each press of transmitter button. Hold, Release, Hold, etc. (like an on/off switch).

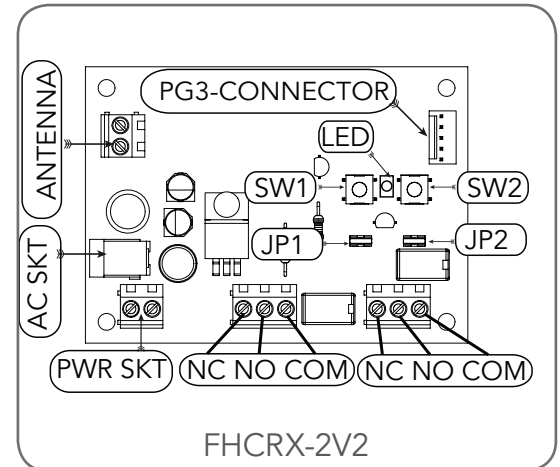
Timer Mode - Relay will remain active for the programmed duration. the timer is adjustable from 0 seconds to 655.34 seconds in .01 second steps

RELAY-1 Pulse Mode - Remove JP1 jumper or do not bridge the two pins.

RELAY-1 Hold Mode - Bridge the two pins on JP1 jumper.

RELAY-2 Pulse Mode - Remove JP2 jumper or do not bridge the two pins.

RELAY-2 Hold Mode - Bridge the two pins on JP2 jumper.



### SPECIFICATIONS

Technical Specifications	FHCRX-2V2
Power supply	12V - 24V AC or DC
Frequency	Multi Frequency
Memory Capacity	250 Transmitters
Programmable Modes:	Pulse, Hold, Timer*
Controlling Outputs	FHCRX-2V2 2 x Common 2 x Normally Open 2 x Normally Closed
Relay Contact Rating	1 amp @ 24 volts DC
Antenna Wire Length	170mm

\*Timer mode available with Automatic Technologies AutoProgrammer.

## AUTOPROGRAMMER

An Automatic Technology AutoProgrammer can be used to set timer (adjustable from 0.00 to 655.34 seconds), Edit, back up /restore transmitters.

### STORING TRANSMITTER CODE

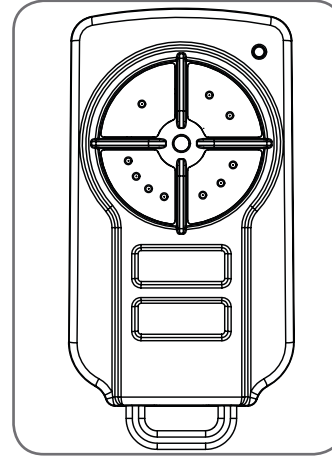
- Press and hold: FHCRX-2: SW1 (for Relay 1) or SW2 (for Relay 2) on the receiver board, the led will start to flash.
- Press the transmitter button you would like to use to control the device for two (2) seconds. The led will start to flash faster.
- Release the transmitter button and pause for two (2) seconds. Press the same button again for two (2) seconds. The led stays on for a second and turns off.
- Release SW button.
- Press the transmitter button to test operation.

### DELETING A SINGLE TRANSMITTER'S CODE

- Press and hold: FHCRX-1 and FHCRX-2: SW1 (for Relay 1) or SW2 (for Relay 2) on the receiver board, the led will start to flash.
- Press the transmitter button you would like to remove from receivers memory for two seconds. The led will start to flash faster.
- Release the transmitter button and pause for two seconds. Press the same button again for two seconds. The led will slowly flash two times
- Release SW button.
- Press the transmitter button to confirm that it has been removed.

### DELETING ALL STORED TRANSMITTER CODES

- Turn the power off to the receiver.
- Press and hold SW1 button.
- While holding SW1 turn power on again. After 15 seconds the Coding LED will illuminate to indicate that the receivers memory has been cleared.
- Release SW1. All the stored codes should now be deleted. Confirm this by pressing the transmitters previously used to operate the device. There should be no response.



# Warranty

WARRANTY PERIOD	
ACCESSORIES Receiver	1 Year
CONSUMABLES Batteries and fuses	Not covered

Please refer to our Warranty certificate on our website at [www.ata-america.com/warranty](http://www.ata-america.com/warranty) for full details.

© November 2018 Automatic Technology America LLC. All rights reserved. No part of this document may be reproduced without prior permission. In an ongoing commitment to product quality we reserve the right to change specification without notice. E&OE.