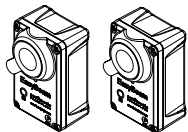


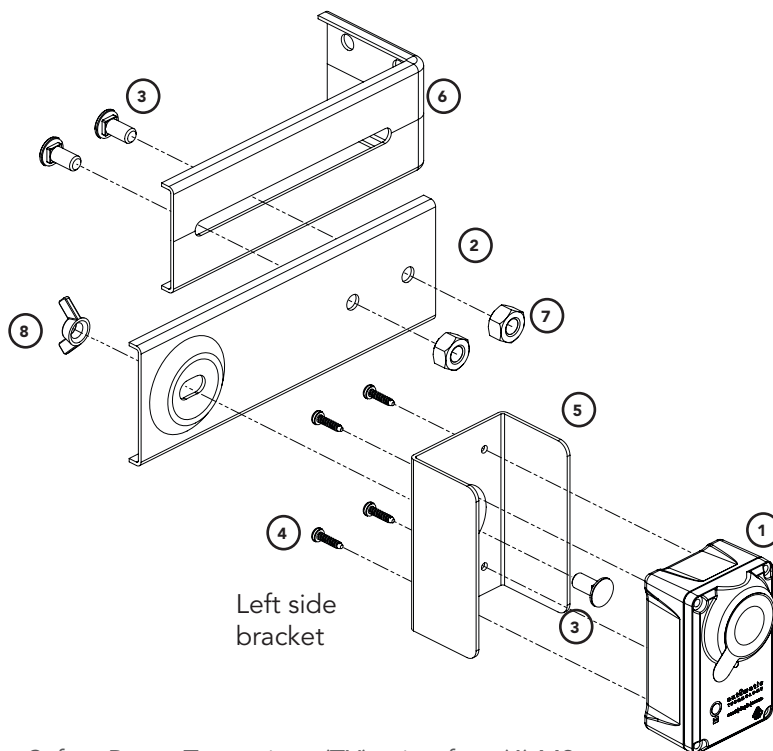
Safety Beam Kit

Wiring and Installation Instructions

EasyBeam™ PE-3v1



| EASYBEAM P.E. 3-V1 KIT | | |
|------------------------|---|-----|
| ITEM | DESCRIPTION | QTY |
| 1 | EASYBEAM RX-TX SET | 1 |
| PE MOUNTING KIT | | |
| 2 | PE BRACKET AM | 1 |
| 3 | BOLT HEX HEAD SERRATION FLANGE 5/16-18 X 3/8" | 3 |
| 4 | SCREW SELF TAPPING 3/32" X 3/8" | 4 |
| 5 | PE SHROUD AM | 1 |
| 6 | WALL BRACKET AM | 1 |
| 7 | NUT SURRATED FLANGE 1/4" X 20-TPI UNC | 2 |
| 8 | NUT WING 3/8" | 1 |



Installation of Safety Beams:

Assembling the Mounting Bracket

- Place the round screw (3) through the Bracket (5). Attach the Safety Beam Transmitter (TX) using four (4) M3 x 5 Taptite screws (4).
- Connect the mounting bracket (2) to the Bracket (5) using the wing nut (8) onto the round screw (3). Secure the adjustment bracket (6) to the mounting bracket (2) using two (2) screws (3) and nuts (7).
- Repeat steps (a) and (b) to assemble the Safety Beam Receiver (RX).
- Locate the Safety Beam in a strategic location in the door opening. **We recommend** that the sensor is placed no higher than 6" and no lower than 5" above the floor level. The mounting surface should be rigid.

Important Safety Instructions



WARNING!

- When using Safety beams, the doorway / gateway must be clear of all obstructions and persons at all times. The location of the beams and manner in which they are installed might not give safety protection at all times.
- The sensors need to be 100mm above the floor level, however, the exact position must be chosen in such a manner that it suits the application, the environmental conditions and provides maximum safety protection.
- When using auto close mode, a Safety beam must be fitted correctly and tested for operation at regular intervals. Extreme caution is recommended when using auto close mode. All safety rules must be followed.
- Disconnect the power cord from mains power and battery backup (if installed) before making any repairs or removing covers on openers.



ELECTROCUTION!

- Disconnect the power cord from mains power and battery backup (if installed) before making any repairs or removing covers on openers.



CAUTION:

Fall from ladder

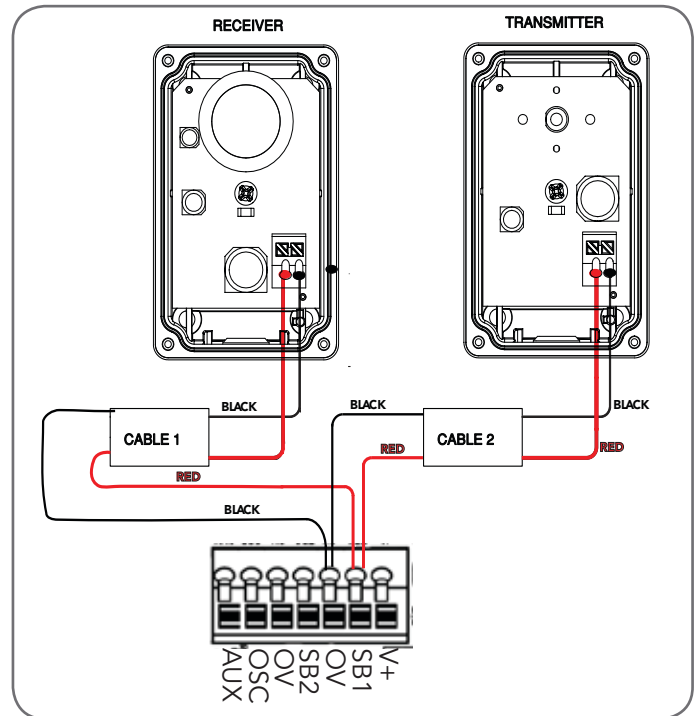
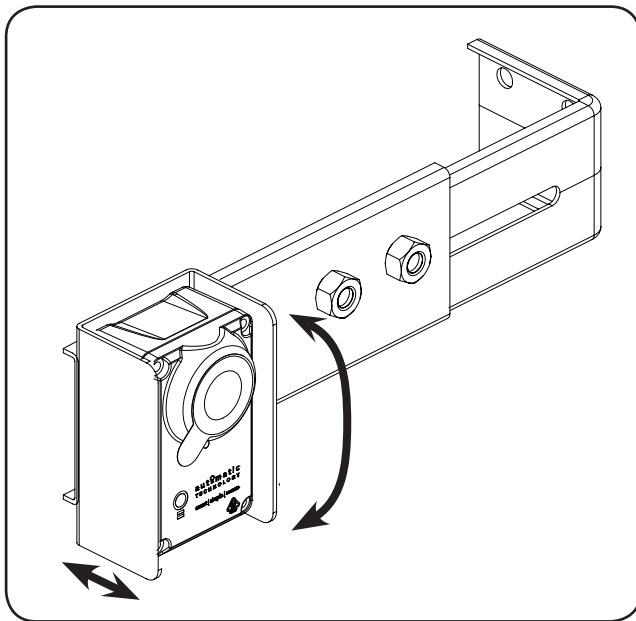
Entrapment

- Ensure ladder is the correct type for job.
- Ensure ladder is on flat ground.
- Ensure user has 3 points of contact while on ladder.
- Ensure the garage door / gate is in good working order by undertaking regular servicing.
- Safety beams must be installed if the closing force at the bottom edge of the door exceeds 400N (40kg)

EasyBeam™ Kit PE-3v1

PE Assist Alignment

- Wire the PE Beams as per Wiring Diagram.
- Power up the operator with the Safety Beam connected. The green LED of the transmitter should be ON to indicate that power is present.
- If the receiver is connected properly and the red LED is flashing and operator is beeping (only in limit set mode) while the green LED of the transmitter is ON, the transmitter and/or receiver are not aligned.
- Make horizontal and/or vertical adjustment on the transmitter and/or receiver until the red LED of the receiver turns steady on and operator stops beeping, indicating alignment.
- Blocking the safety beam with an object will cause operator to beep, confirming the Safety beam is functioning correctly.



Troubleshooting

| Symptom | Possible cause | Remedy |
|---|---|--|
| PE transmitter: the green LED is not ON | PE transmitter is not connected properly. | Check the PE transmitter connection. |
| PE receiver: the red LED is not ON | PE receiver is not connected properly. | Check the PE receiver connection. |
| Receiver LED is blinking and can not close the door | Receiver and transmitter not aligned properly. Beam is obstructed. | Realign receiver and the transmitter. Remove obstruction from the path of the beam. |

Warranty

| WARRANTY PERIOD | |
|------------------------------------|-------------|
| ACCESSORIES Safety Beam | 1 Year |
| CONSUMABLES Batteries and fuses | Not covered |

© June 2018 Automatic Technology America LLC. All rights reserved. No part of this document may be reproduced without prior permission. In an ongoing commitment to product quality we reserve the right to change specification without notice. E&OE.

This Warranty is to be read in conjunction with the owner's copy of the operator installation instruction